

型号WEH系列电液换向阀是以电磁阀为先导控制的换向阀, 连接方式为板式连接。

特性:

1. 标准面板安装, 可互换
2. 湿式直流或交流电磁阀可选择
3. 手动应急操作
4. 可选节流阀



Model WEH series are electro-hydraulic operation valves, they control the direction, start, with characteristic of low switching noise, great performance, easy coil connection, replacement and standard mounting.

Characteristic:

1. For subplate mounting
2. Wet pin DC or AC solenoids optional are available
3. Spring or pressure centered, spring or hydraulic offset
4. Throttle valve, optional

FT -- -- 4WEH16 E 50 / G24 N /

无标记 = 28MPa No code = 28MPa
H - = 35MPa H - = 35MPa

口径 Size 10, 16, 25, 32

无标记 = 主阀弹簧复位或对中, H = 主阀液压复位或对中
No code = Spool return by springs
H = Spool return by hydraulic

阀芯机能符号
Spool function

系列号 Series no.
20 = 口径10 20 = Size 10
50 = 口径16, 25, 32 50 = Size 16, 25, 32

无标记 = 弹簧复位 No code = With spring
O = 无弹簧复位 O = Without spring
OF = 无弹簧复位, 带定位机构 OF = With detent, without spring

G24 = 直流24V; G12 = 直流12V
W220 = 交流220V; W110 = 交流110V
G24 = DC24V; G12 = DC12V (Direct current)
W220 = AC220V; W110 = AC110V (Alternating current)

N = 带手动按钮 N = With manual override(s)
无标记 = 不带按钮 No code = Without manual override

无标记 = 外供外排型 No code = External pilot oil supply, external pilot oil drain
E = 内供外排型 E = Internal pilot oil supply, external pilot oil drain
ET = 内供内排型 ET = Internal pilot oil supply, internal pilot oil drain
T = 外供内排型 T = External pilot oil supply, internal pilot oil drain

无标记 = 表面磷化 (黑色), 镀铬电磁铁 (亮色)
F2 = 喷蓝塑 (蓝色), 电磁铁表面磨砂 (亚光)
No code = Phosphate treatment (black)
-with chromeplate surface coil (s)
F2 = Spraying plastics (blue)
-with matte finished surface coil (s)
Note: Please check our web for colors

无标记 = 丁腈橡胶密封
V = 氟橡胶密封
No code = NBR seals for petroleum oils
V = FPM seals for phosphate ester

无标记 = 不带比减压阀
D1 = 带比减压阀
No code = Without pressure reducing valve
D1 = With pressure reducing valve

无标记 = 无插装节流塞
B08 = 节流孔0.8 mm, B10 = 节流孔1.0 mm
B12 = 节流孔1.2 mm

No code = Without orifice insert
B08 = Orifice size 0.8 mm, B10 = Orifice size 1.0 mm
B12 = Orifice size 1.2 mm

Z5L = Angled plug and light(s) Z5L = 方型带灯插头

无标记 = 没有节流阀
S = 带节流阀, 进口节流, S2 = 带节流阀, 出口节流
No code = Without switching adjustment
S = With meter-in control adjustment
S2 = With meter-out control adjustment

General information 基本参数		10	16	25	32
口径 Nominal size		10	16	25	32
最高工作压力 Max. Operating Pressure(MPa)					
A, B, P 油口 (Ports)	4WEH Type 4WEH 型	28	28	28	28
	H-4WEH Type H-4WEH 型	31.5	31.5	31.5	31.5
T 油口 (Port)	External pilot drain 控制油外排	31.5	25	25	25
	Internal pilot drain 控制油内排	AC = 10, DC = 16	AC = 10, DC = 16	AC = 10, DC = 16	AC = 10, DC = 16
Y 油口 (Port)	External pilot drain 控制油外排	AC = 10, DC = 16	AC = 10, DC = 16	AC = 10, DC = 16	AC = 10, DC = 16
	4WEH Type 4WEH 型	25	25	25	25
适用电压 (WEH): 直流 Available Voltage (WEH): DC		12V, 24V	12V, 24V	12V, 24V	12V, 24V
适用电压 (WEH): 交流 *1 Available Voltage (WEH): AC *		110V, 220V (50/60Hz)	110V, 220V (50/60Hz)	110, 220 (50/60Hz)	110V, 220V (50/60Hz)

*1: 电器保护导线请按(PE)规定接地
*1: The earth line be connected as per PE

机能符号: WE见第10页; WH见第12页
Function symbols: Check page 10 for WE, page 12 for WH

注: WEH安装尺寸见第15页
Note: Please check page 15 for WEH installation dimensions

WEH 10 型

内供与外供转换:

- 主阀顶上P孔中有M6螺钉2为外供, 拆下M6螺钉为内供。

内排与外排转换:

- 卸下螺塞, 装上M6螺钉2为外排, 拆下M6螺钉为内排。

WEH10 Type

Internal supply & external supply:

- The M6 plug in P port of main valve is external pilot, as drawing "A".

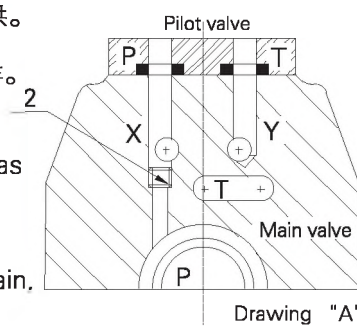
- To remove the M6 plug is internal pilot

Internal drain & external drain:

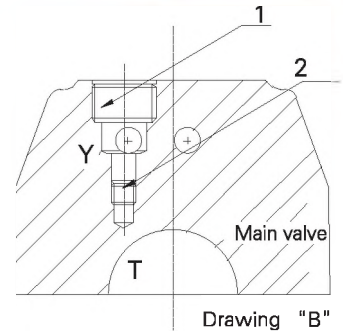
- To remove the bolt, install the M6 plug is external drain, , remove the M6 is internal drain, as drawing "B".

- To remove the M6 plug is internal drain.

Model WEH-10

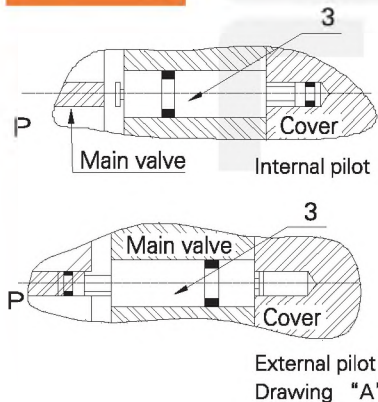
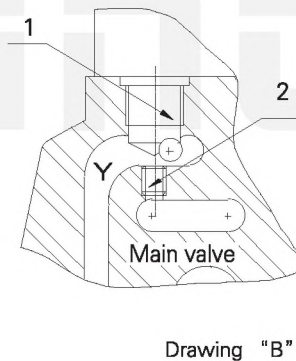


Drawing "A"



Drawing "B"

Model WEH-16

Internal pilot
Drawing "A"

Drawing "B"

WEH 16型

内供与外供转换:

- 拆下阀盖, 将销子的小头朝向主阀内装成外供, 将销子的小头朝外装成内供。

内排与外排转换:

- 装主阀顶上螺塞拆下, 装上M6螺钉2即为外排, 拆下M6螺钉为内排。

WEH16 Type

Internal supply & external supply:

- To remove the cover, install the pin position as its small head pointing to main valves is external pilot, change the pin position conversely is internal pilot, as drawing "A".

Internal drain & external drain:

- To remove the bolt 1, install the M6 plug is external drain, remove the M6 is internal drain, as drawing "B", and to remove the M6 plug is internal drain.

WEH 25型

内供与外供转换:

- 拆下阀盖, 装上M6螺钉1为外供, 拆下M6螺钉为内供。

内排与外排转换:

- 主阀顶上T孔中M6螺钉拆下为内排, 装上为外排。

WEH25 Type

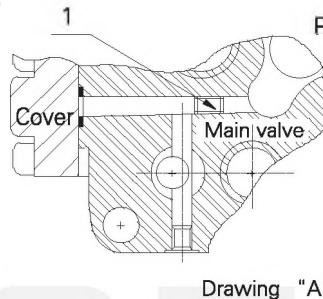
Internal supply & external supply:

- To remove the cover, install the M6 plug is external pilot, to remove the M6 plug is internal pilot, as drawing "A".

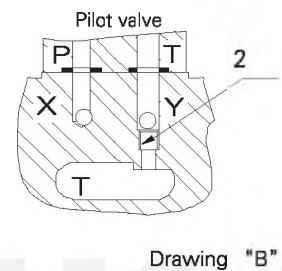
Internal drain & external drain:

- To remove the M6 plug in T port on the top of the main valve is internal drain, install the M6 plug is external drain, as drawing "B".

Model WEH-25

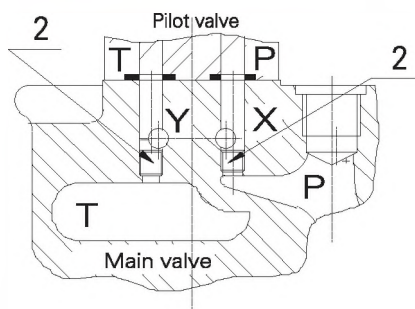


Drawing "A"



Drawing "B"

Model WEH-32



WEH 32型

内供与外供转换:

- 主阀顶上P孔中有M6螺钉2装上为外供, 拆下为内供。

内排与外排转换:

- 主阀顶上T孔中有M6螺钉2装上为外排, 拆下为内排。

WEH 32 Type

Internal supply & external supply:

- To install the M6 plug in P port on the top of the main valve is external pilot, to remove the M6 plug is internal pilot, as drawing "A".

Internal drain & external drain:

- To remove the M6 plug in T port on the top of the main valve is internal drain, to install the M6 plug is external drain, as drawing "A".

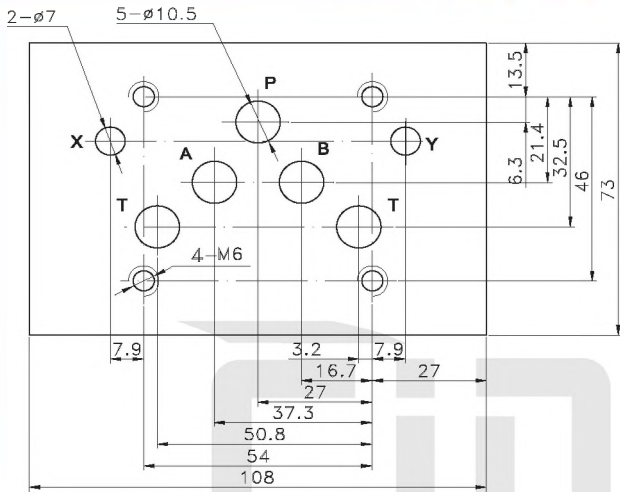
注事事项: 内供时须将底板上X口堵住, 内排时须将底板上Y口堵住。

Note: The X port on the bottom must be plugged as internal pilot.

The Y port on the bottom must be plugged if internal drain.

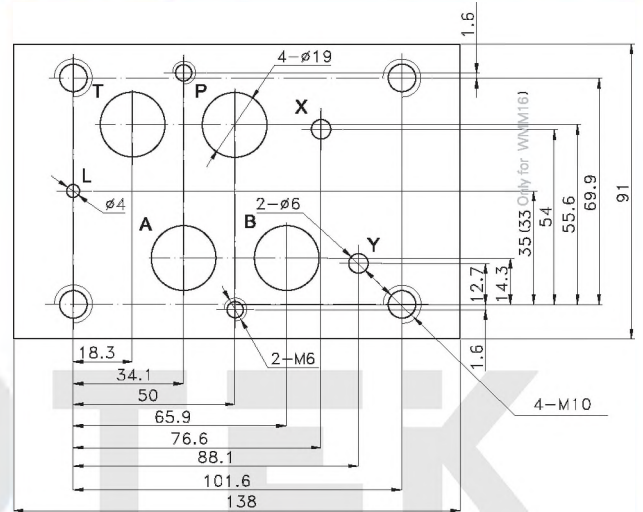
WH, WEH10 Installation dimensions

安装尺寸



安装尺寸

WH, WEH16 Installation dimensions

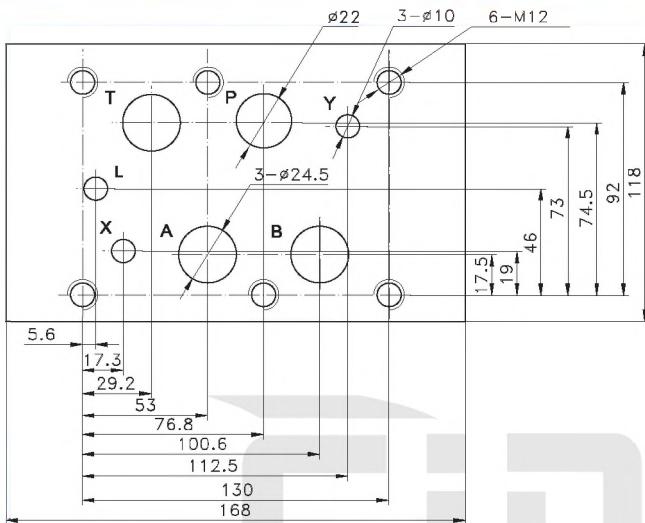


注：尺寸与WMM16, Z2FS16型号相同

Note: The dimensions are the same with WMM16, Z2FS16

WH, WEH25 Installation dimensions

安装尺寸



注：尺寸与 Z2FS22型号相同

Note: The dimensions are the same with Z2FS22

安装尺寸

WH, WEH32 Installation dimensions

