

型号 DBD系列为直动式溢流阀, 用作控制系统压力。

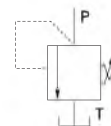
特性:

1. 三种连接方式可选: 板式, 管式和插装式
2. 调节压力可以调节手柄或螺栓实现
3. 6种工作压力可选

Model DBD series are direct operated poppet valves, it is used to limit the main system pressure with characteristics of fast response.

Characteristic:

1. Different mounting styles, screw-in threaded and subplate mounting, optional
2. Handwheel adjustment style available
3. Six pressure adjustment ranges and long-life service



FT - DBD S 6 K 1X / 10 / / \*

H = 调节手柄 H = Hand wheel  
S = 带保护罩的调节螺栓 S = Screw adjustment and protective cap

口径 Size 6 (8) 10 (15) 20 (25) 30

K = 插装式 K = Cartridge valve  
G = 螺纹连接 G = Threaded connection  
P = 板式安装 P = Subplate mounting

系列号 Series no.

其它文字说明  
Further details

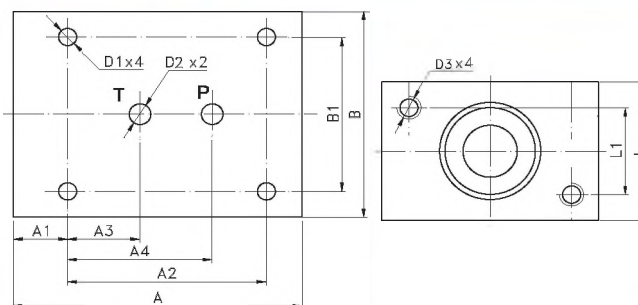
无标记 = 丁腈橡胶密封  
V = 氟橡胶密封  
No code = NBR seals for petroleum oils  
V = FPM seals for phosphate ester

无标记 = 英制螺纹  
2 = 公制螺纹  
No code = Inch thread  
2 = Metric thread

压力等级: (MPa)  
2.5, 5, 10, 20, 31.5, 40  
Pressure range: (MPa)  
2.5, 5, 10, 20, 31.5, 40

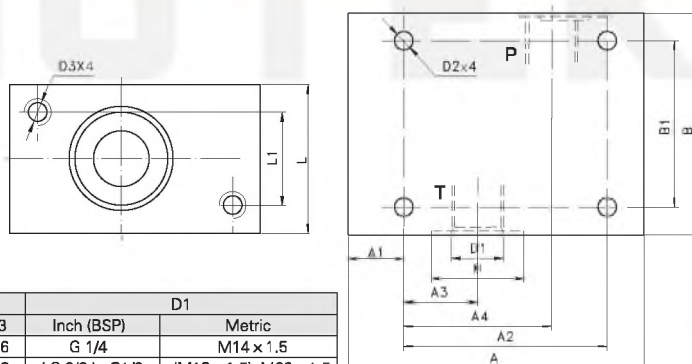
General information 基本参数		6	8	10	15	20	25	30
口径 Size		6	8	10	15	20	25	30
最高工作压力 Max. Operating Pressure (MPa)		31.5						
最大流量 Max. Flow Rate (L/min)		35	60	80	150	200	250	300
介质温度范围 Fluid Temperature for NBR seal (°C)		-20~80						
介质 Fluid		矿物油 Petroleum oils						

**安装尺寸 DBD...P Installation dimensions**



DBD...P Data		B	B1	L	L1	A	A1	A2	A3	A4	D1	D2	D3
Size 口径	6	60	45	40	25	80	15	55	20	40	6.6	6	M6
	(8) 10	80	60	60	40	100	20	70	21	45	9	10	M8
	(15) 20	100	70	70	50	135	20	100	34	65	9	(15) 20	M8
	(25) 30	130	100	90	60	180	25	130	35	85	11	30	M10

**安装尺寸 DBD...G Installation dimensions**



DBD...K Data		D1	D	D2	D3	A	A1	A2	A3	A4	A5
Size 口径	6	M28x1.5	24.9	15	6	65	56.5±5.5	45	35	19	15
	10	M35x1.5	31.9	18.5	10	80	67.5±7.5	52	41	23	18
	20	M45x1.5	39.9	24	20	110	91.5±8.5	70	45	27	21
	30	M60x2	54.9	38.75	30	140	113.5±11.5	84	60	29	23

DBD...G Data		B	B1	L	L1	A	A1	A2	A3	A4	D	D2	D3	D1	
Size 口径	6	60	45	40	25	80	15	55	20	40	25	6.6	M6	Inch (BSP)	Metric
	(8) 10	80	60	60	40	100	20	70	21	49	(28) 34	9	M8	G 1/4	M14x1.5
	(15) 20	100	70	70	50	135	20	100	34	65	(42) 47	9	M8	(G 3/8) G 1/2	(M18x1.5) N/22x1.5
	(25) 30	130	100	90	60	180	25	130	35	85	(56) 61	11	M10	(G 3/4) G 1	(M27x2) M33x2
														(G 1 1/4) G 1 1/2	(M42x2) M48x2