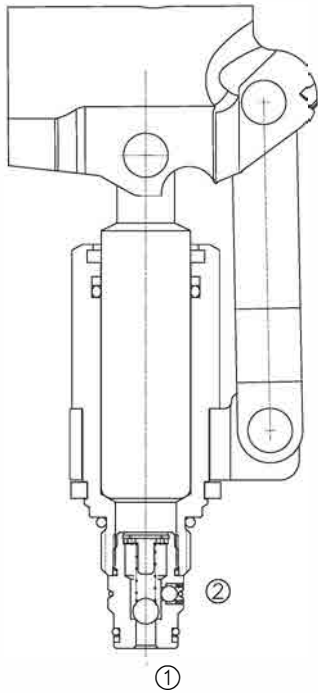


Hydraulic Cartridge Style Hand Pump



FT- HP-10/ LHP2-10 / LHP3-10 HAND PUMP

OPERATION

When the operator is pushed, the valve delivers a nominal flow of 8.8 cc to the ② port. When the operator is pulled, the valve suctions fluid from the ① port.

FEATURES

- Cast Beam for heavy duty applications.
- Hardened parts for long life.
- Industry common cavity.

SPECIFICATIONS

Operating Pressure : 207Bar; (LHP2-10 ,280 Bar)

Flow : FT- HP-10: 8.8 cc per stroke.

FT-HP2-10: 4.0 cc per stroke.

FT-HP3-10: 6.0 cc per stroke.

Internal Leakage : 2 drops/min. max. at 138Bar

Temperature : -22°F to +250°F (-30°C to +120°C)

Recommended Filtration : ISO 16/12

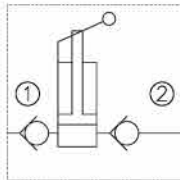
Fluids: Mineral-based fluids.

For other fluid compatibility, consult factory.

Cavity : 10-2 , see page 403

Body Material : Anodized 6061T6 aluminum alloy rated at 207Bar

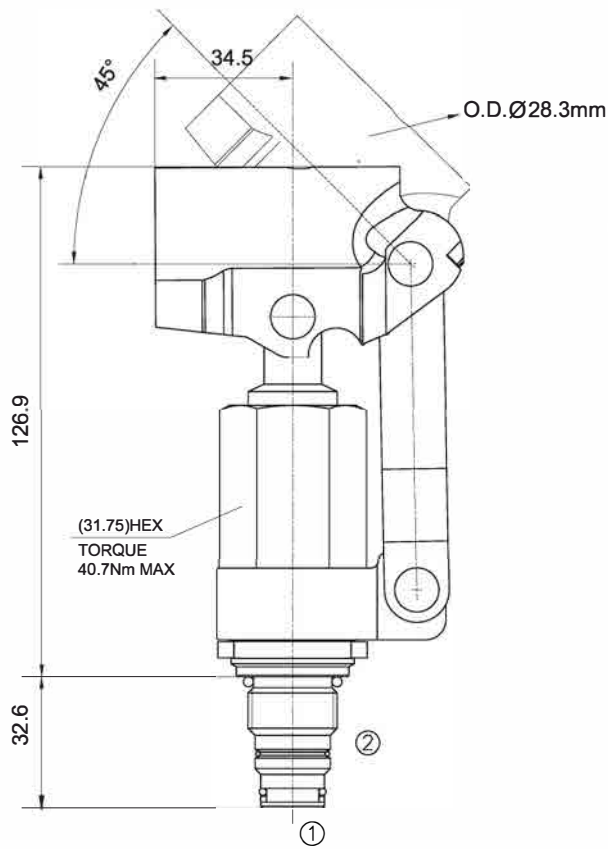
SYMBOL



Hydraulic Cartridge Style Hand Pump

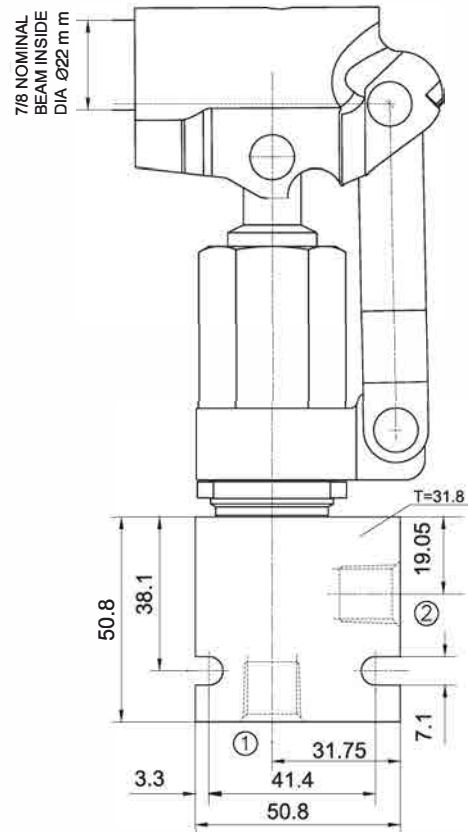


INSTALLATION DIMENSIONS



OPTION: HAND PUMP LEVER
S-400mm
L-600mm

Unit=Millimeters



TO ORDER

