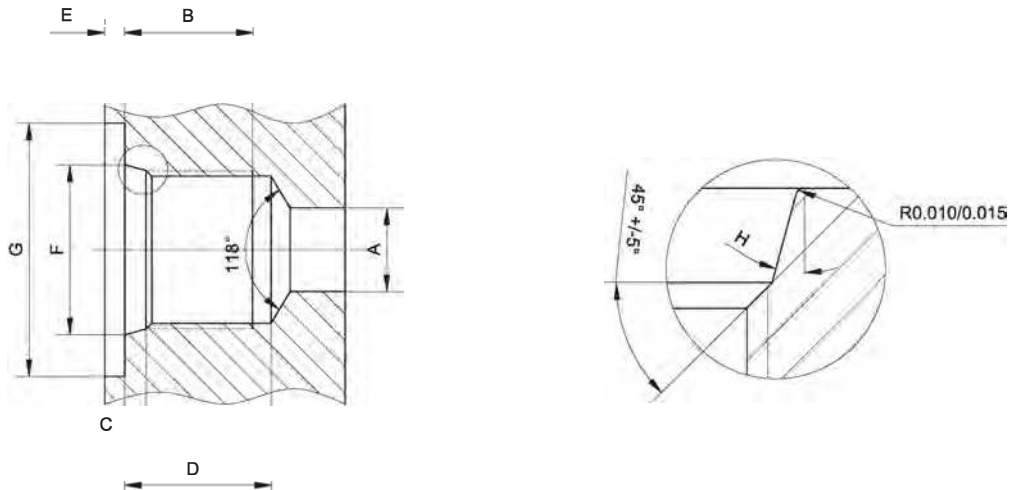


Valve Cavity, Cavity Tools - Cartridge Type



Valve Cavity: SAE Standard Cavity Tool



SAE	Size	Threads	A	B	C	D	E	F	G	H
Code	Pipe		(Min)	(Min)	(+.015/- .000)	(Min)	(Max)	(+.005/- .000)	(Min)	(+/-1)
2T	1/8	5/16-24	0.062	0.390	0.074	0.468	0.061	0.358	0.672	12
3T	3/16	3/8-24	0.125	0.390	0.074	0.468	0.062	0.421	0.750	12
4T	1/4	7/16-20	0.172	0.454	0.093	0.547	0.062	0.487	0.828	12
5T	5/16	1/2-20	0.234	0.500	0.093	0.547	0.062	0.550	0.906	12
6T	3/8	9/16 18	0.297	0.562	0.097	0.609	0.062	0.616	0.969	12
8T	1/2	3/4-16	0.391	0.656	0.100	0.688	0.094	0.811	1.188	15
10T	5/8	7/8-14	0.484	0.750	0.100	0.781	0.094	0.942	1.344	15
12T	3/4	1 1/16-12	0.609	0.750	0.130	0.906	0.094	1.148	1.625	15
16T		1 5/16 12	0.826	0.750	0.130	0.906	0.126	1.400	1.929	15
20T	1 1/4	1 5/8 12	1.063	0.750	0.130	0.906	0.126	1.715	2.283	15