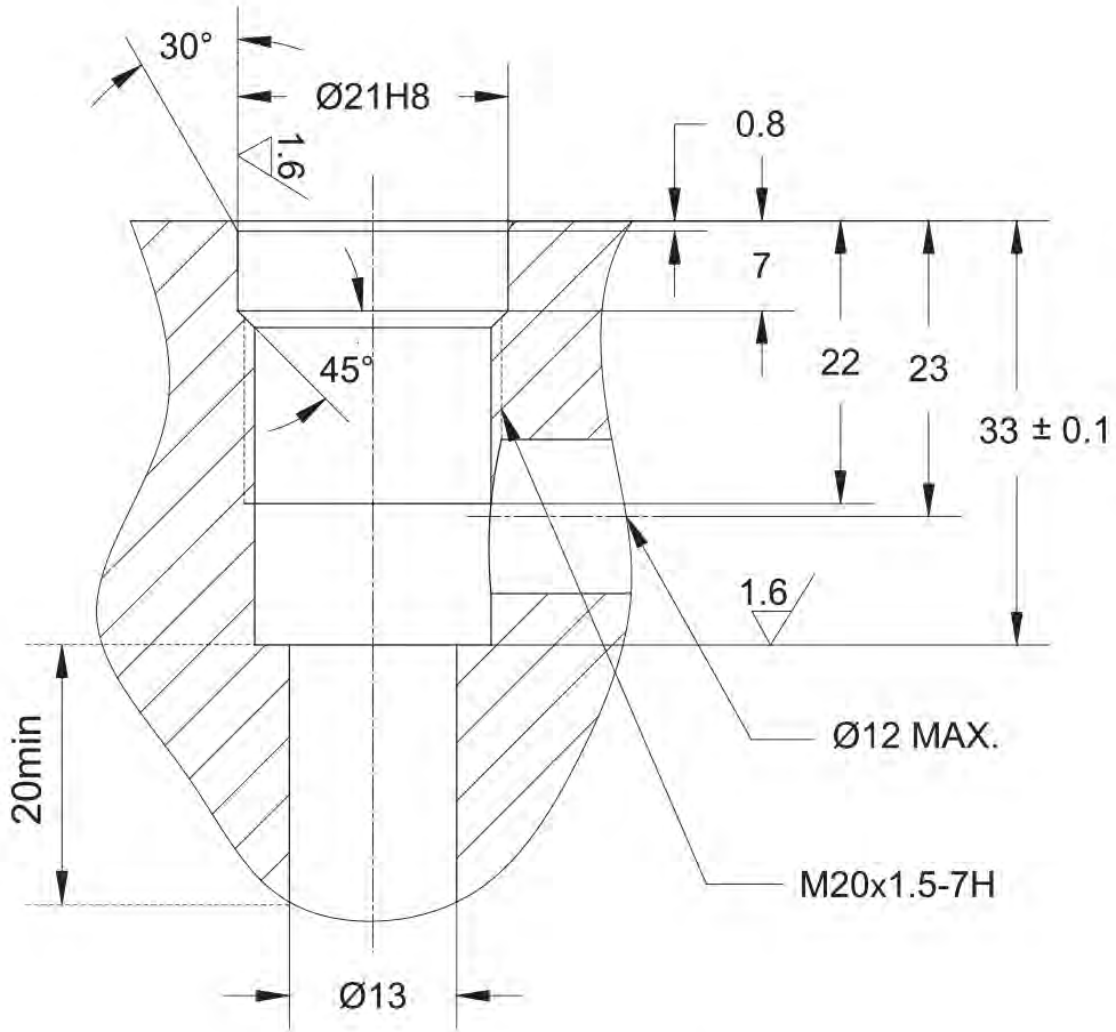


# Valve Cavity, Cavity Tools - Cartridge Type



## Valve Cavity: 08M-2 Cavity Tool



General tolerance:  $\pm 0.3\text{mm}$

$\text{Ⓢ} 0.05$

THREAD AND  
ALL DIAMETERS  
UNIT: Millimeters