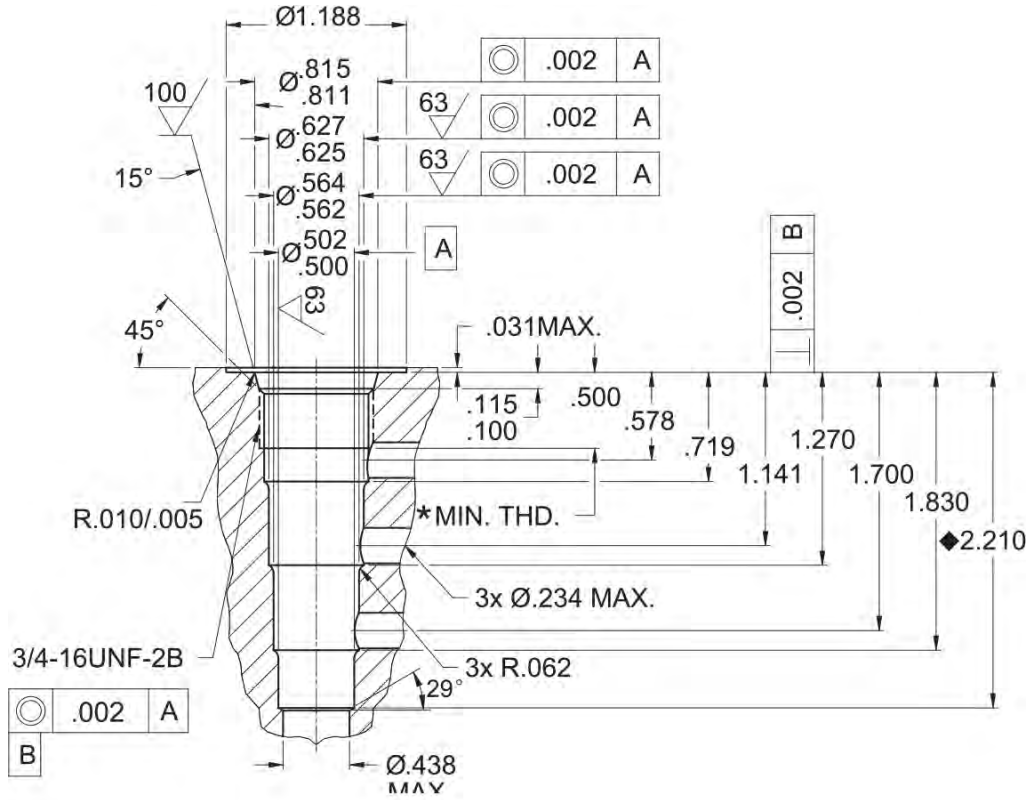


Valve Cavity, Cavity Tools - Cartridge Type



Valve Cavity: 08-4 Cavity Tool



“ \blacklozenge ” Position is required with minimum depth of 2.2inch(56mm)