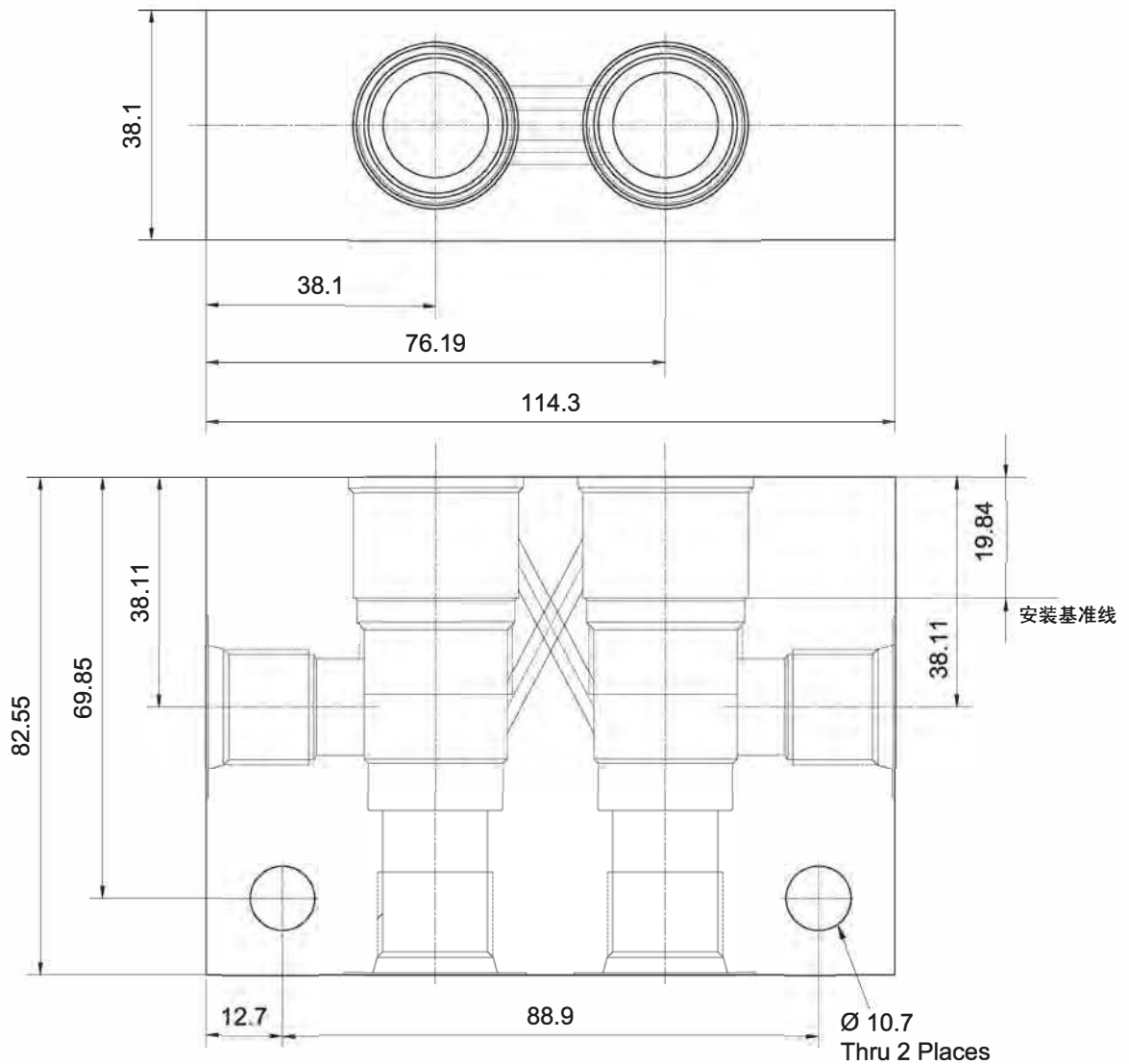


# Cartridge Valve Housing



## Series T-2A Cross-Pilot Housing



Part No.	Ports
LYAA	1/4" NPTF
LYAB	3/8" NPTF
LYAC	1/2" NPTF
LYAD	3/4" NPTF
LYA I	SAE 6
LYAJ	SAE 8
LYAK	SAE 10
LYAL	SAE 12
LYAT	G 1/4
LYAU	G 3/8
LYAV	G 1/2
LYAW	G 3/4

Unit=Millimeters

Material	Operating Pressure	Part No.
Aluminum,6061-T6	210 bar (3000 psi)	****
Steel	350 bar (5000 psi)	****-S