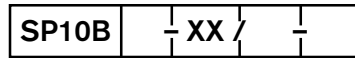
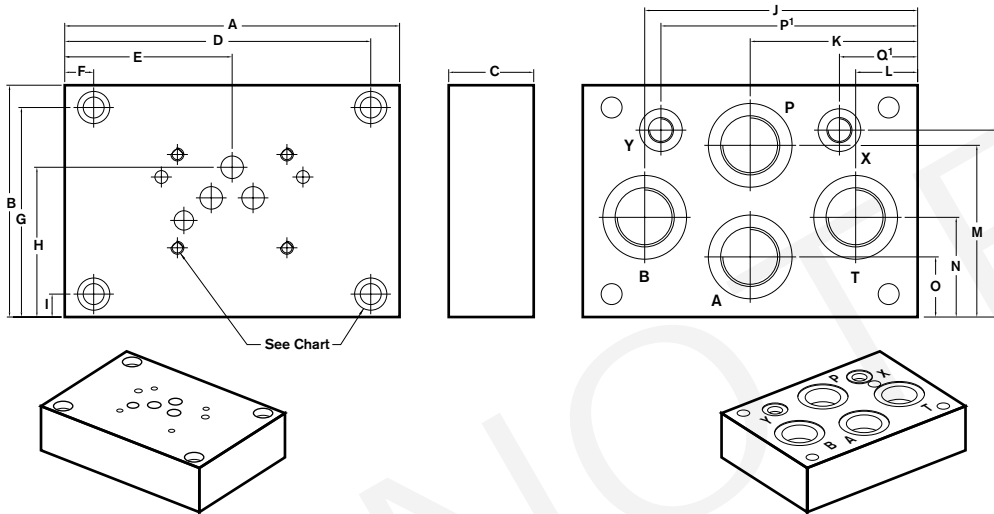


# Subplates

## D05 (Size 10) Bottom-Ported



<p><b>Flow</b>                  Low                  Normal                  High                  Extra High</p> <p><b>Revision</b></p>	<p>= L                  = N                  = H                  = X</p> <p>= XX</p>	<p>12 =                  05 =                  01 =</p>	<p><b>Ports</b>                  SAE Threaded Ports                  NPT Threaded Ports                  BSPP Threaded Ports</p> <p><b>Material</b>                  Aluminum 6061-T6, 3000 psi                  Steel 1045 HR, 9000 psi</p>
--	---	---	--



Model	Approx. Wt.		
	Alum.	Iron	Steel
SP10BL...	2.2	5.8	—
SP10BN...	2.5	6.6	—
SP10BH...	4.7	12.5	—
SP10BX...	4.7	12.5	—
SP10BNH...	—	—	6.4

Port type	P,T & A,B Ports			X & Y Ports			Mounting Bolts			Valve Mtg.	
	12	05	01	12	05	01	12	05	01	05 & 12	01
SP10BL...	9/16-18 SAE-6	NPT 3/8"	G (BSP) 3/8"	—	—	—	3/8-16 x 1.50 LG SHCS	3/8-16 x 1.50 LG SHCS	M10-1.5 x (40) LG SHCS		
SP10BN...	3/4-16 SAE-8	NPT 1/2"	G (BSP) 1/2"	—	—	—	3/8-16 x 1.50 LG SHCS	3/8-16 x 1.50 LG SHCS	M10-1.5 x (40) LG SHCS	1/4-20	M6-1.0
SP10BH...	1-1/16-12 SAE-12	NPT 3/4"	G (BSP) 3/4"	7/16-20 SAE-4	NPT 1/4"	G (BSP) 1/4"	3/8-16 x 1.75 LG SHCS	3/8-16 x 1.75 LG SHCS	M10-1.5 x (45) LG SHCS	x 0.60 DP	x (15.2) DP
SP10BX...	1-5/16-12 SAE-16	NPT 1"	G (BSP) 1"	7/16-20 SAE-4	NPT 1/4"	G (BSP) 1/4"	3/8-16 x 1.75 LG SHCS	3/8-16 x 1.75 LG SHCS	M10-1.5 x (45) LG SHCS		
SP10BNH...	—	NPT 3/8"	—	—	—	—	—	3/8-16 x 1.75 LG SHCS	—	5/16-18 x .60 DP	—

Dimension	A	B	C	D	E	F	G	H	I	J	K	L	M	N	O	P <sup>2</sup>	Q <sup>2</sup>	R <sup>2</sup>
SP10BL-1X/...	4.00	4.50	1.25	3.56	1.99	0.43	4.05	2.89	0.43	3.13	1.99	0.85	3.12	2.04	0.96			
SP10BN-1X/...	4.50	4.50	1.25	3.81	2.24	0.68	4.05	2.89	0.43	3.38	2.24	1.10	3.12	2.04	0.96			
SP10BH-1X/...	6.50	4.50	1.65	5.94	3.25	0.56	4.07	2.91	0.45	5.30	3.25	1.20	3.33	1.94	1.17	4.98	1.52	3.63
SP10BX-1X/...	6.50	4.50	1.65	5.94	3.25	0.56	4.07	2.91	0.45	5.30	3.25	1.20	3.33	1.94	1.17	4.98	1.52	3.63

Mounting hardware is supplied. Valve mounting hardware must be ordered separately.

1) Blackening

2) Note: X & Y ports not available on low or normal flow

All dimensions in inches