

Lift Block - Solenoid Operated, Single Speed with Unloader FT-MBCV4A(S)

Features:

These valves provide the control functions of “raise”, “positive hold” and “lower” (at a controlled speed) for lift applications using single acting cylinders such as “scissor lifts”, “access platforms”, etc.

A pressure relief valve prevents peak circuit pressures.

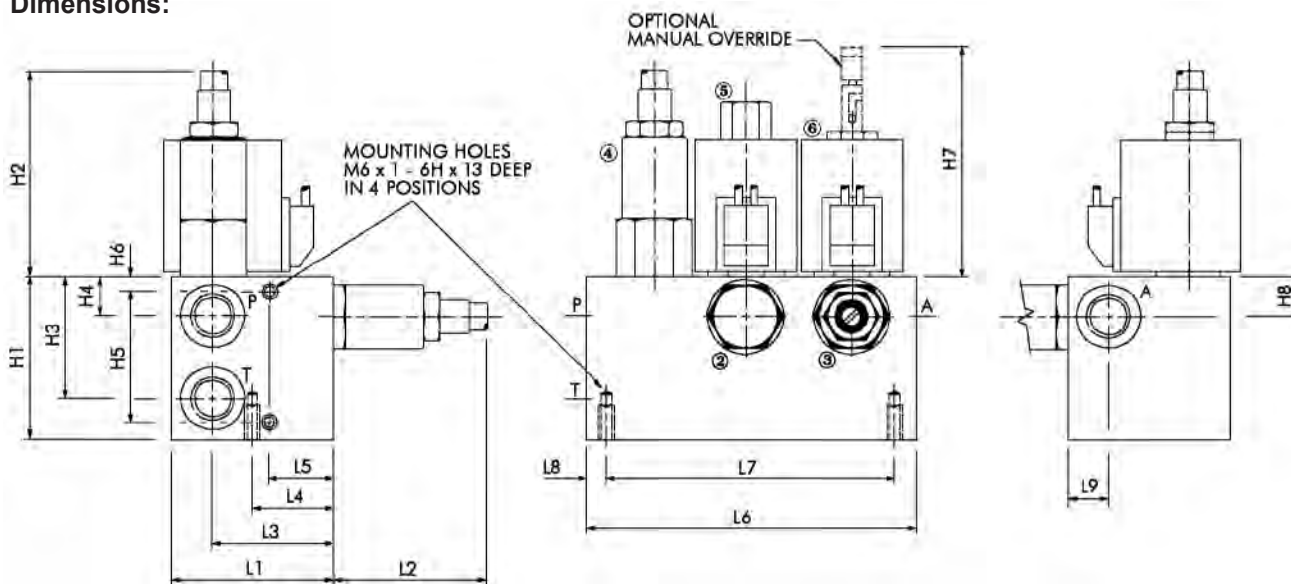
A solenoid operated vent valve allows continuous running of the pump unit when lifting is not required.

Technical specifications:

Port size (BSP)	3/8"
Nom. flow (lpm)	48
Max. pressure (bar)	240
Cartridge material	steel
Body material	Alum/steel
Operating temp.	-20°C to +95°C

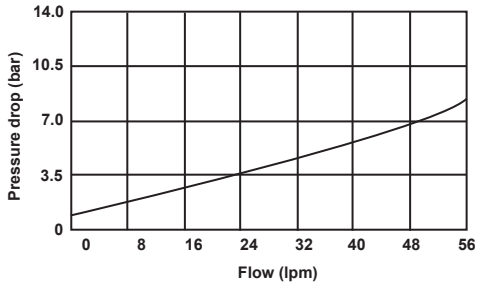
Hydraulic oil	Mineral oil
Viscosity range	3 to 640 cSc
Filtration	25 micron (nom.)
Seals	Nitrile/Viton
Response time	30-45 mil-sec
Voltage	DC and AC

Dimensions:

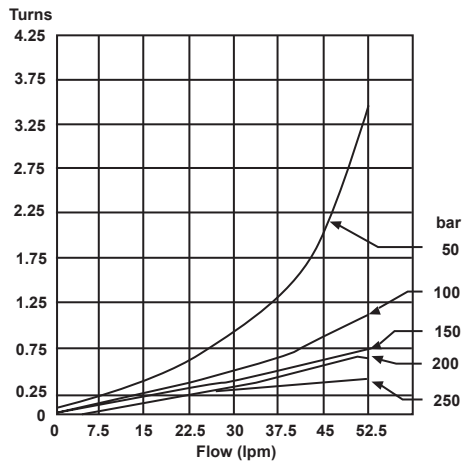


L1	L2	L3	L4	L5	L6	L7	L8	L9	H1	H2	H3	H4	H5	H6	H7	H8
63.5	61	47.5	31.8	25	130	114	8	16	63.5	81.55 max.	47.5	16	51	6	87.1 min. 90.9 max.	16

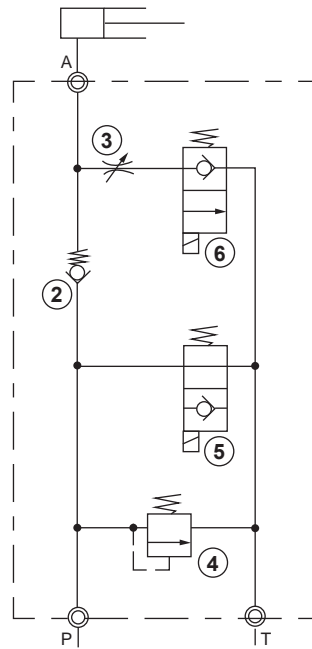
Valves 5-6 - Pressure drop curve 32 cSc / 38°C.



Valve 3 - Performance curve Flow vs number of turns at various pressures 32 cSc / 38°C



Schematic



	FUNCTION		
	Raise	Hold	Lower
Pump	ON	-	-
Valve ⑤	ON	OFF	OFF
Valve ⑥	OFF	OFF	ON

Model code

FT-MBCV4A(S)	1	00	HC	06
<p>Valve type: Solenoid operated flow control FTMBCV04 A (Aluminium) FTMBCV04 S(Steel)</p> <p>Relief valve pressure range: 1 - 3.5-14 bar 2 - 14-105 bar 3 - 105-210 bar 4 - 170-275 bar</p> <p>Options: 00 - Nitrile, standard V0 - Viton, standard 0M - Nitrile, man. override VM - Viton, man. override A0 - Nitrile, screen W0 - Viton, screen B4 - Nitrile screen, man. override V4 - Viton, screen, man. override (screen on valve ⑤)</p>				<p>Coil voltage: 12 - 12VDC 24 - 24VDC 36 - 36VDC 11 - 110VAC 23 - 220VAC</p> <p>Coil termination: DL - Double lead HC - DIN43650 (std)</p>