

Lift Block - Single Solenoid Operated Valve, Single Speed FTMBCV3A(S)

Features:

These valves provide the control functions of 'raise', 'positive hold' and 'lower' (at a controlled speed) for lift applications using single acting cylinders such as 'scissor lifts', 'access platforms' etc.

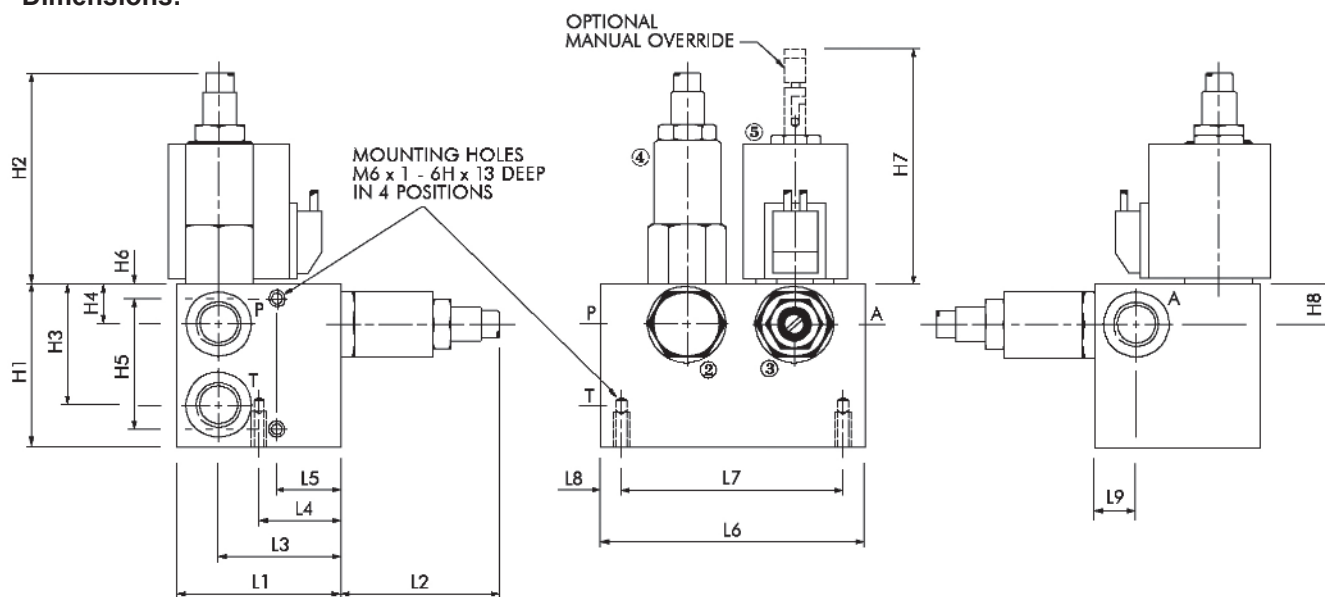
A pressure relief valve prevents peak circuit pressures.

Technical specifications:

Port size (BSP)	3/8"
Nom. flow (lpm)	48
Max. pressure (bar)	240
Cartridge material	steel
Body material	Alum/steel
Operating temp.	-20°C to +95°C

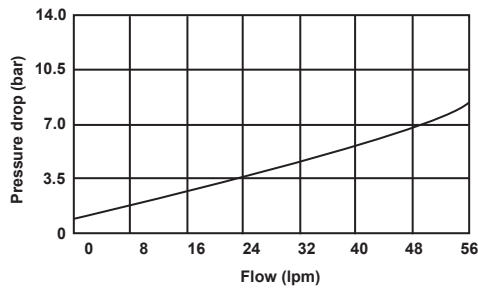
Hydraulic oil	Mineral oil
Viscosity range	3 to 640 cSc
Filtration	25 micron (nom.)
Seals	Nitrile/Viton
Response time	30-45 mil-sec
Voltage	DC and AC

Dimensions:

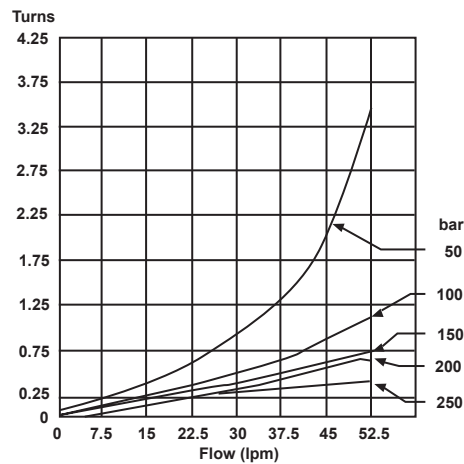


L1	L2	L3	L4	L5	L6	L7	L8	L9	H1	H2	H3	H4	H5	H6	H7	H8
63.5	61	47.5	31.8	25	101.6	85.6	8	16	63.5	81.55 max.	47.5	16	51	6	87.1 min. 90.9 max.	16

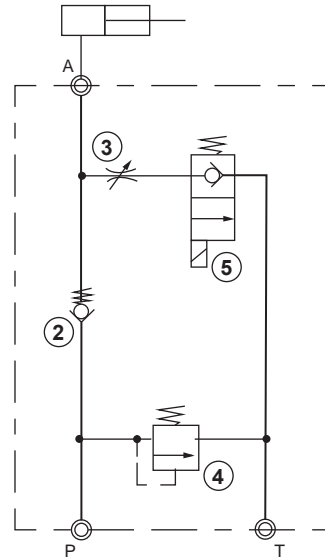
Valves 5 - Pressure drop curve
32 cSc / 38°C.



Valve 3 - Performance curve
Flow vs number of turns at various pressures
32 cSc / 38°C



Schematic



	FUNCTION		
	Raise	Hold	Lower
Pump	ON	OFF	OFF
Valve ⑤	OFF	OFF	ON

Model code

FTMBCV3 A	1	00	HC	06
------------------	----------	-----------	-----------	-----------

Valve type:
Solenoid operated
flow control
FTMBCV03 A (Aluminium)
FTMBCV03 S(Steel)

Relief valve pressure range:
1 - 3.5-14 bar
2 - 14-105 bar
3 - 105-210 bar

Options:
00 - Nitrile, standard
V0 - Viton, standard
0M - Nitrile, man. override
VM - Viton, man. override
A0 - Nitrile, screen
W0 - Viton, screen
B4 - Nitrile screen, man. override
V4 - Viton, screen, man. override
(screen on valve ⑤)

Coil voltage:
12 - 12VDC
24 - 24VDC
36 - 36VDC
11 - 110VAC
23 - 220VAC

Coil termination:
DL - Double lead
HC - DIN43650 (std)