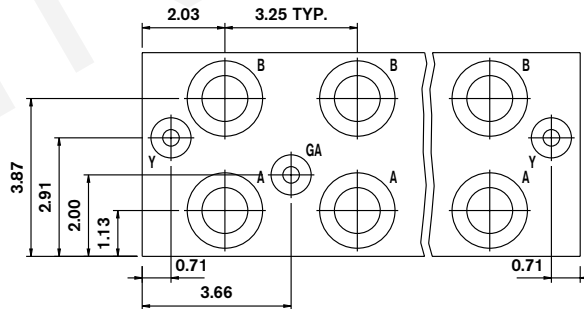
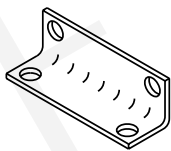
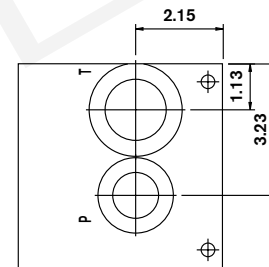
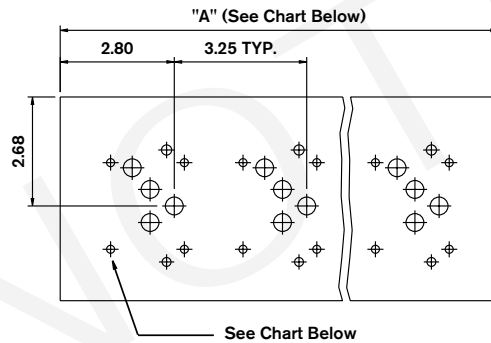
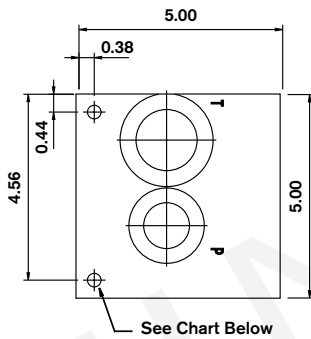
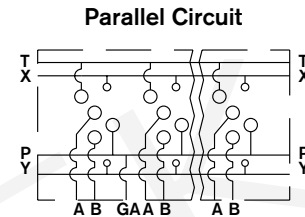
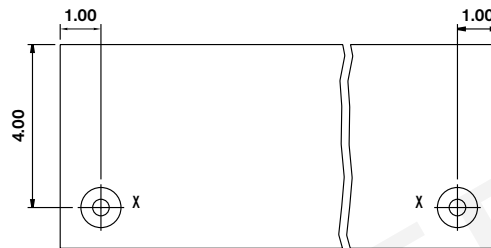
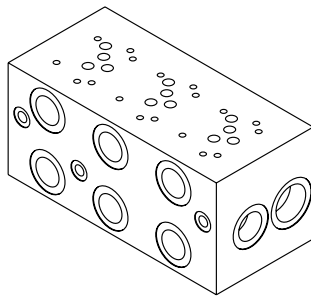


# Bar Manifold

## D05 (Size 10) Parallel Circuit Extra High Flow with X & Y Ports

**BM10PX - XX / 3 -**

<b>Revision</b>	= XX	<b>12 =</b>	SAE Threaded Ports
<b>Number of Station</b>	= 01-06	<b>01 =</b>	BSPB Threaded Ports
<b>Material</b>			
Aluminum 6061-T6, 3000 psi	= A		
Carbon Steel 45#, 5800 psi	= S		
<b>Valve Spacing 3.25"</b>		<b>= 3</b>	



	T Port	P + A & B Ports	GA, X & Y Ports	Manifold (Mtg.)	Valve (Mtg.)
...12	1-5/8-12 SAE-20	1-5/16-12 SAE-16	9/16-18 SAE-6	3/8-16 x 0.60 DP.	1/4-20 x 0.60 DP.
...01	1-1/4" BSPB	1" BSPB	1/4" BSPB	M10 x 0.60 DP.	M6 x 0.60 DP.

Number of Stations	01 <sup>2</sup>	02	03	04	05	06
Dim. "A"	4.25	7.50	10.75	14.00	17.25	20.50
Approx. Weight AL (lbs)	10	18	26	34	42	50
Approx. Weight DI (lbs)	27	48	69	91	112	133

1) Blackened 2) Gauge port not included

All dimensions in inches