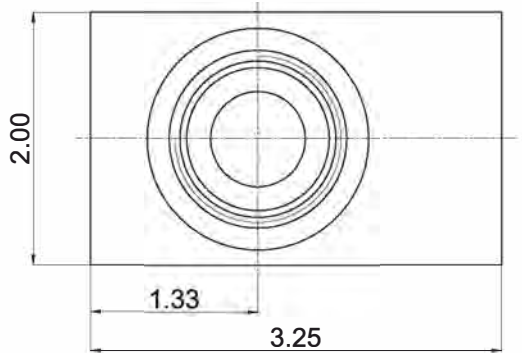


Cartridge Valve Housing

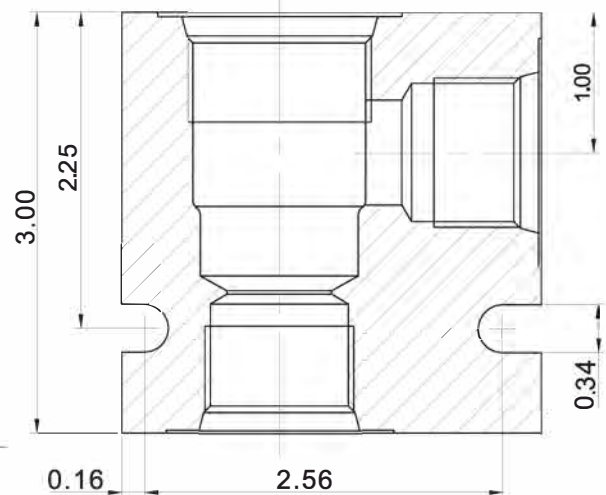
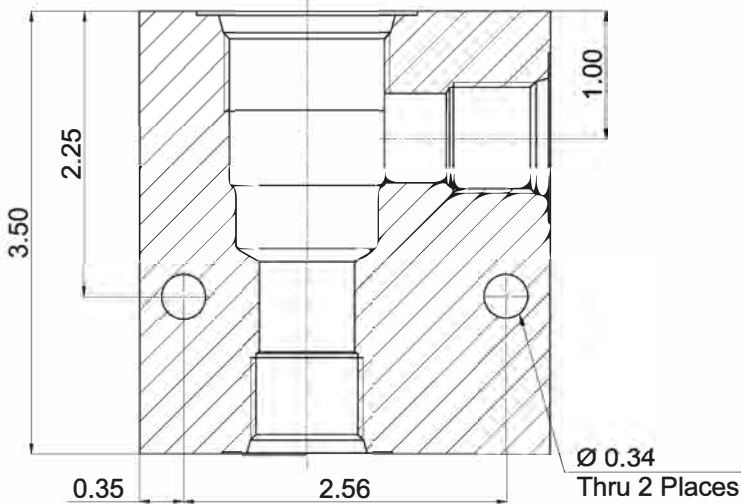
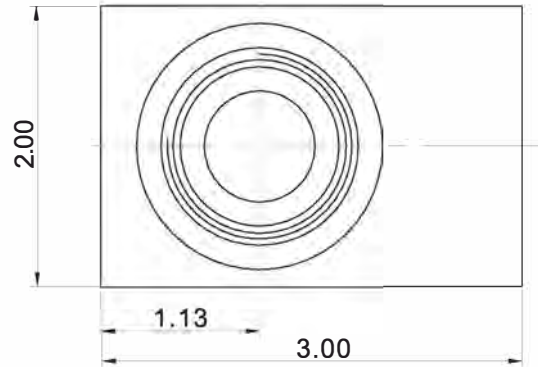


Series 16 2-Way Valve Housing

2-WAY
Steel



2-WAY
Aluminum



Unit=Inches

SERIES 16 2-WAY HOUSINGS			
Part No.	Material	Operating Pressure	Ports
FT16-2-S-10T	Steel	350 bar (5000 psi)	SAE 10
FT16-2-S-12T	Steel	350 bar (5000 psi)	SAE 12
FT16-2-S-16T	Steel	350 bar (5000 psi)	SAE 16
FT16-2-S-6G	Steel	350 bar (5000 psi)	G 3/4
FT16-2-S-8G	Steel	350 bar (5000 psi)	G 1
FT16-2-A-12T	Aluminum	210 bar (3000 psi)	SAE 12
FT16-2-A-16T	Aluminum	210 bar (3000 psi)	SAE 16
FT16-2-A-6G	Aluminum	210 bar (3000 psi)	G 3/4
FT16-2-A-8G	Aluminum	210 bar (3000 psi)	G 1