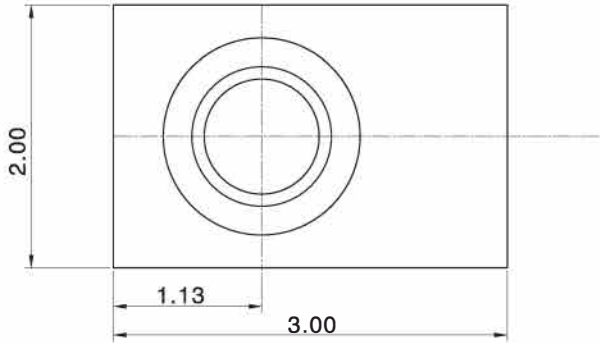


# Cartridge Valve Housing

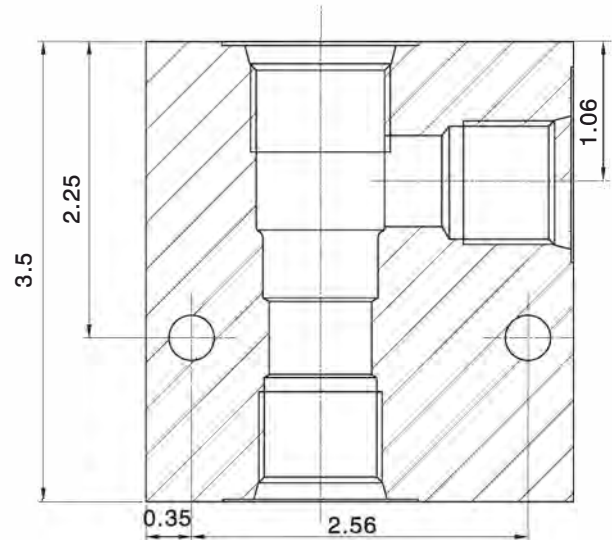
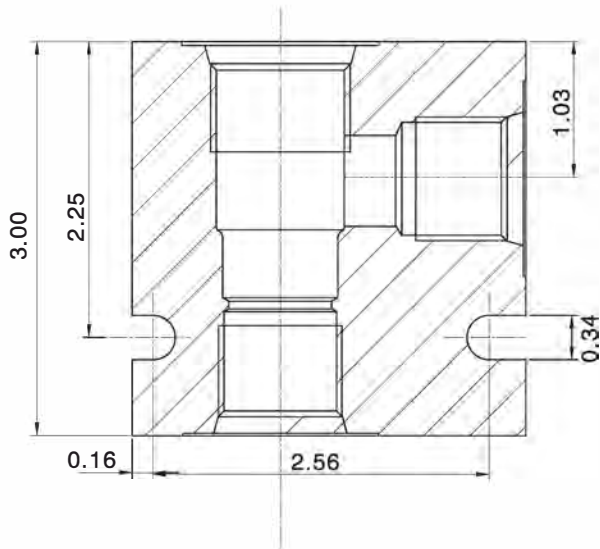
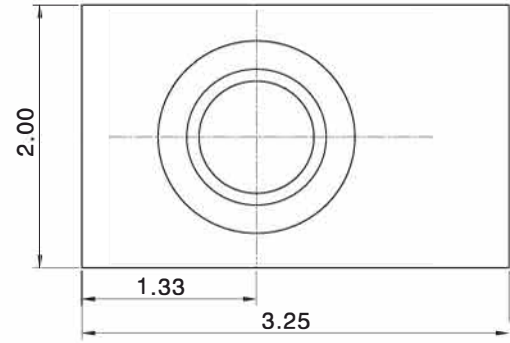


## Series 12 2-Way Valve Housing

2-WAY  
Aluminum



2-WAY  
Steel



Unit=Inches

| SERIES 12 2-WAY HOUSINGS |                  |                    |        |
|--------------------------|------------------|--------------------|--------|
| Part No.                 | Material         | Operating Pressure | Ports  |
| FT12-2-A-10T             | Aluminum,6061-T6 | 210 bar (3000 psi) | SAE 10 |
| FT12-2-A-12T             | Aluminum,6061-T6 | 210 bar (3000 psi) | SAE 12 |
| FT12-2-A-16T             | Aluminum,6061-T6 | 210 bar (3000 psi) | SAE 16 |
| FT12-2-A-4G              | Aluminum,6061-T6 | 210 bar (3000 psi) | G 1/2  |
| FT12-2-A-6G              | Aluminum,6061-T6 | 210 bar (3000 psi) | G 3/4  |
| FT12-2-A-8G              | Aluminum,6061-T6 | 210 bar (3000 psi) | G 1    |
| FT12-2-S-10T             | Steel            | 350 bar (5000 psi) | SAE 10 |
| FT12-2-S-12T             | Steel            | 350 bar (5000 psi) | SAE 12 |
| FT12-2-S-16T             | Steel            | 350 bar (5000 psi) | SAE 16 |
| FT12-2-S-4G              | Steel            | 350 bar (5000 psi) | G 1/2  |
| FT12-2-S-6G              | Steel            | 350 bar (5000 psi) | G 3/4  |
| FT12-2-S-8G              | Steel            | 350 bar (5000 psi) | G 1    |