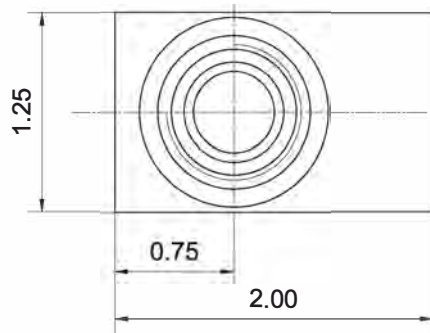


Cartridge Valve Housing



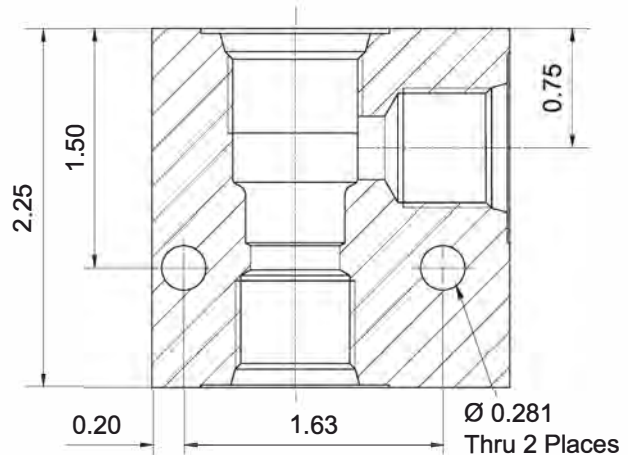
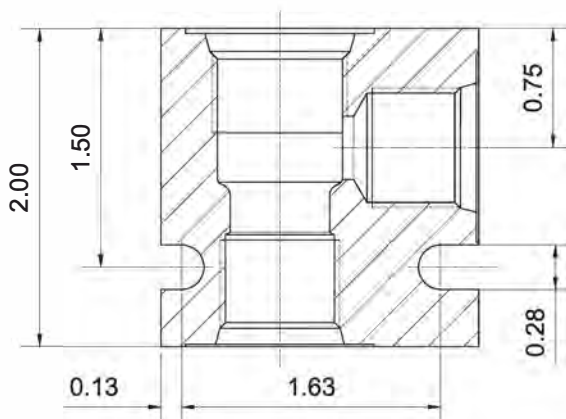
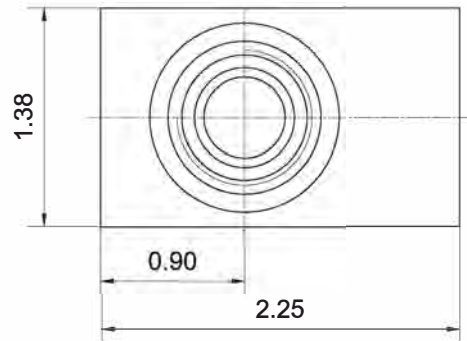
Series 10 2-Way Valve Housing

2-WAY
Aluminum



By Finotek Machinery
www.finotek.com
sales@finotek.com

2-WAY
Steel



Unit=Inches

SERIES 10 2-WAY HOUSINGS			
Part No.	Material	Operating Pressure	Ports
FT10-2-A-3N	Aluminum,6061-T6	210 bar (3000 psi)	3/8" NPTF
FT10-2-A-6T	Aluminum,6061-T6	210 bar (3000 psi)	SAE 6
FT10-2-A-8T	Aluminum,6061-T6	210 bar (3000 psi)	SAE 8
FT10-2-A-2G	Aluminum,6061-T6	210 bar (3000 psi)	G 1/4
FT10-2-A-3G	Aluminum,6061-T6	210 bar (3000 psi)	G 3/8
FT10-2-A-4G	Aluminum,6061-T6	210 bar (3000 psi)	G 1/2
FT10-2-S-3N	Steel	350 bar (5000 psi)	3/8" NPTF
FT10-2-S-6T	Steel	350 bar (5000 psi)	SAE 6
FT10-2-S-8T	Steel	350 bar (5000 psi)	SAE 8
FT10-2-S-2G	Steel	350 bar (5000 psi)	G 1/4
FT10-2-S-3G	Steel	350 bar (5000 psi)	G 3/8
FT10-2-S-4G	Steel	350 bar (5000 psi)	G 1/2