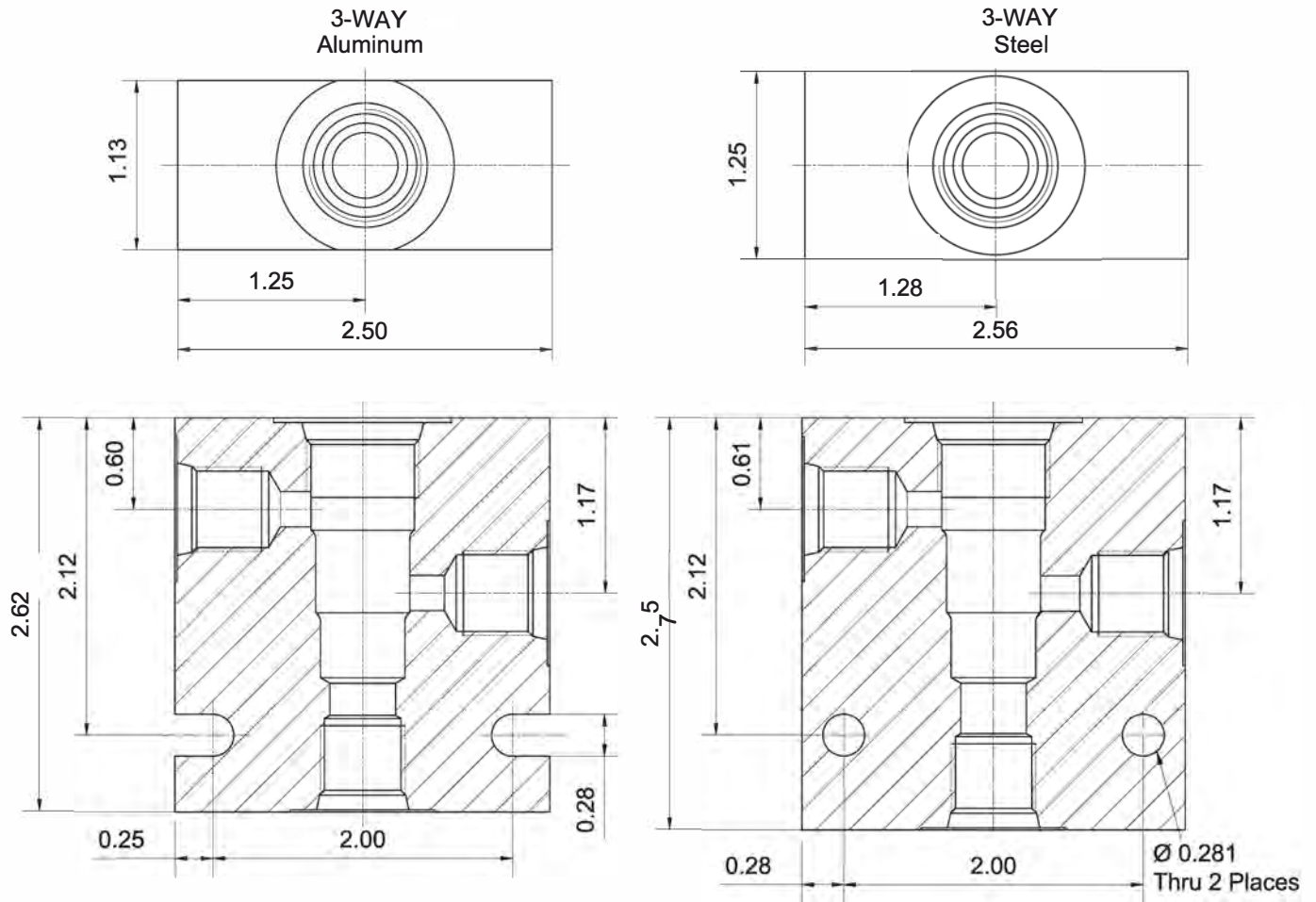


# Cartridge Valve Housing



## Series 08 3-Way Valve Housing



Unit=Inches

SERIES 08 3-WAY HOUSINGS			
Part No.	Material	Operating Pressure	Ports
FT08-3-A-3N	Aluminum,6061-T6	210 bar (3000 psi)	3/8" NPTF
FT08-3-A-4T	Aluminum,6061-T6	210 bar (3000 psi)	SAE 4
FT08-3-A-6T	Aluminum,6061-T6	210 bar (3000 psi)	SAE 6
FT08-3-A-3G	Aluminum,6061-T6	210 bar (3000 psi)	G 3/
FT08-3-S-3N	Steel	350 bar (5000 psi)	3/8" NPTF
FT08-3-S-4T	Steel	350 bar (5000 psi)	SAE 4
FT08-3-S-6T	Steel	350 bar (5000 psi)	SAE 6
FT08-3-S-8T	Steel	350 bar (5000 psi)	SAE 8
FT08-3-S-2G	Steel	350 bar (5000 psi)	G 1/4
FT08-3-S-3G	Steel	350 bar (5000 psi)	G 3/8