

型号WH系列液动换向阀是以控制油发出的液讯号使主阀芯移动，以实现油路换向。

特性:

1. 标准面板安装, 可互换
2. 有弹簧对中与液压对中选
3. 可选节流阀

Model WH series are hydraulic operation valves, they control the direction, start, with characteristic of low switching noise, great performance, replacement and standard mounting.

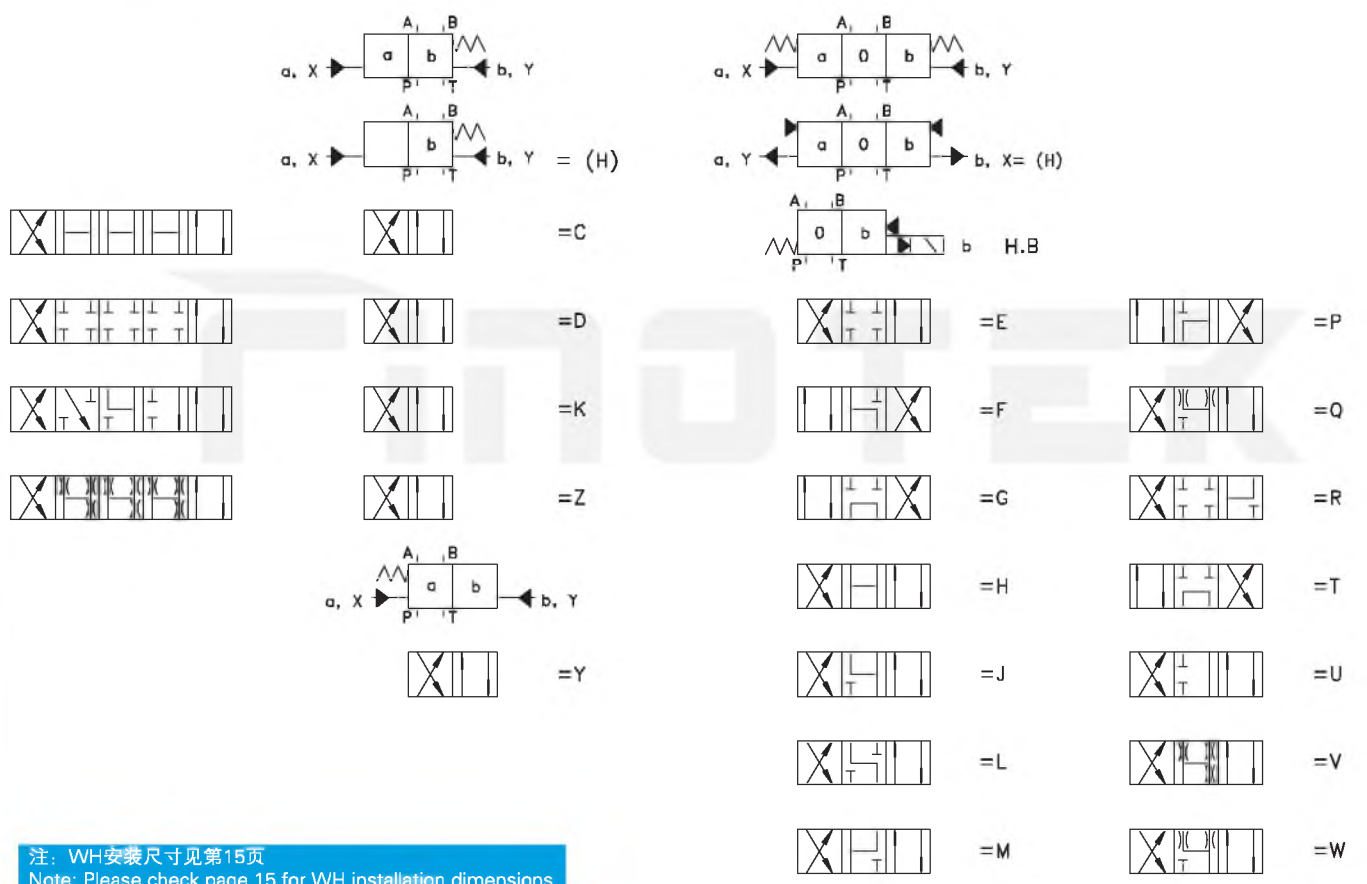
Characteristic:

1. For subplate mounting
2. Spring or pressure centered, spring or hydraulically offset
3. Switching time adjustment, optional



无标记 = 工作压力28MPa H = 35MPa		No code = 28MPa H = 35MPa		FT - WH 10 E 50 /	
无标记 = 主阀弹簧复位或对中 H = 主阀液压复位或对中		No code = Spool return by springs H = Spool return by hydraulic (Only for size10 with C, D, K, Z, Y)		无标记 = 表面磷化 (黑色) L = 喷蓝塑 (蓝色) No code = Phosphate treatment (Black color) L = Spraying plastics (Blue color)	
无标记 = 主阀弹簧复位或对中 H = 主阀液压复位或对中		No code = Spool return by springs H = Spool return by hydraulic (Only for size10 with C, D, K, Z, Y)		无标记 = 丁腈橡胶密封 V = 氟橡胶密封 No code = NBR seals for petroleum oils V = FPM seals for phosphate ester	
系列号: 20 = 口径10 50 = 口径16, 25, 32 Series no. 20 = Size 10 50 = Size 16, 25, 32				无标记 = 没有节流阀 S = 带节流阀, 进口节流, S2 = 带节流阀, 出口节流 No code = Without switching adjustment S = With meter-in control adjustment S2 = With meter-out control adjustment	

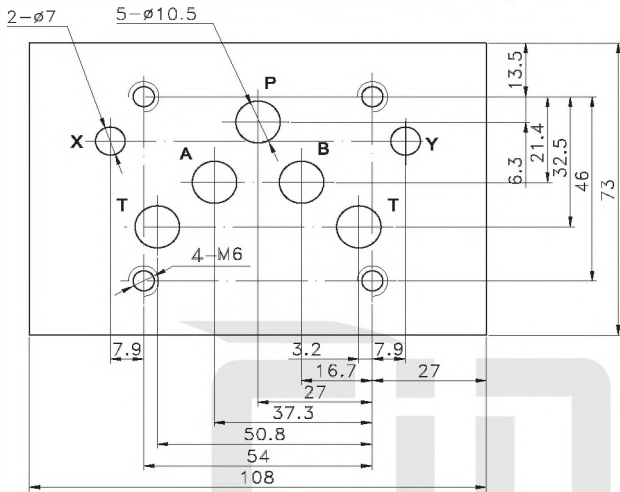
机能符号
Function symbols



注: WH安装尺寸见第15页
 Note: Please check page 15 for WH installation dimensions

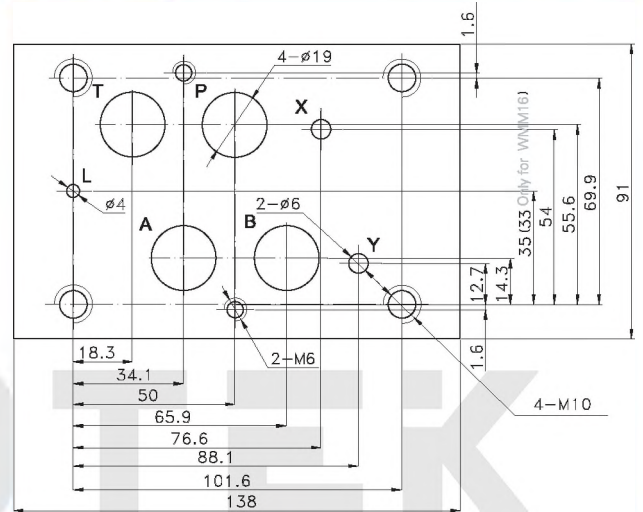
WH, WEH10 Installation dimensions

安装尺寸



安装尺寸

WH, WEH16 Installation dimensions

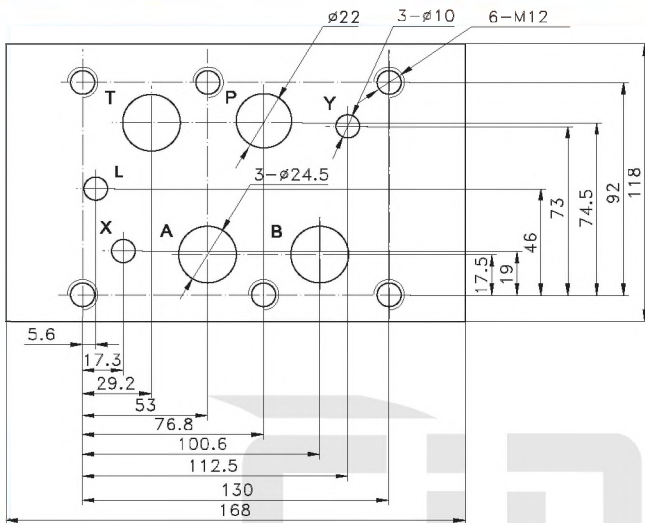


注：尺寸与WMM16, Z2FS16型号相同

Note: The dimensions are the same with WMM16, Z2FS16

WH, WEH25 Installation dimensions

安装尺寸



注：尺寸与 Z2FS22型号相同

Note: The dimensions are the same with Z2FS22

安装尺寸

WH, WEH32 Installation dimensions

